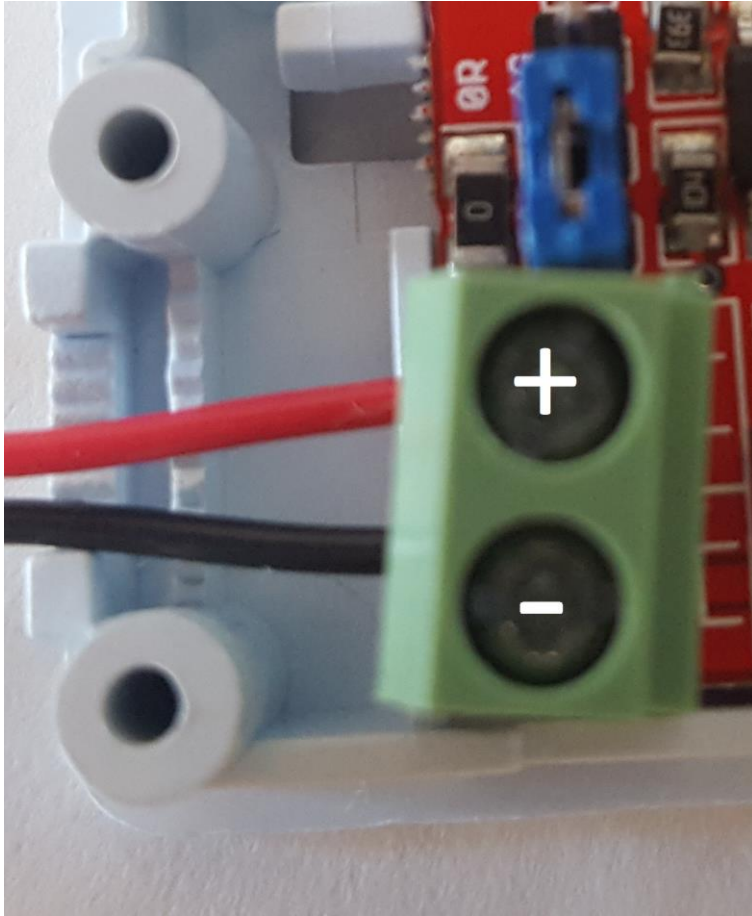


# MyGateRemote

Hardware Installation

# Screw Terminals - Power

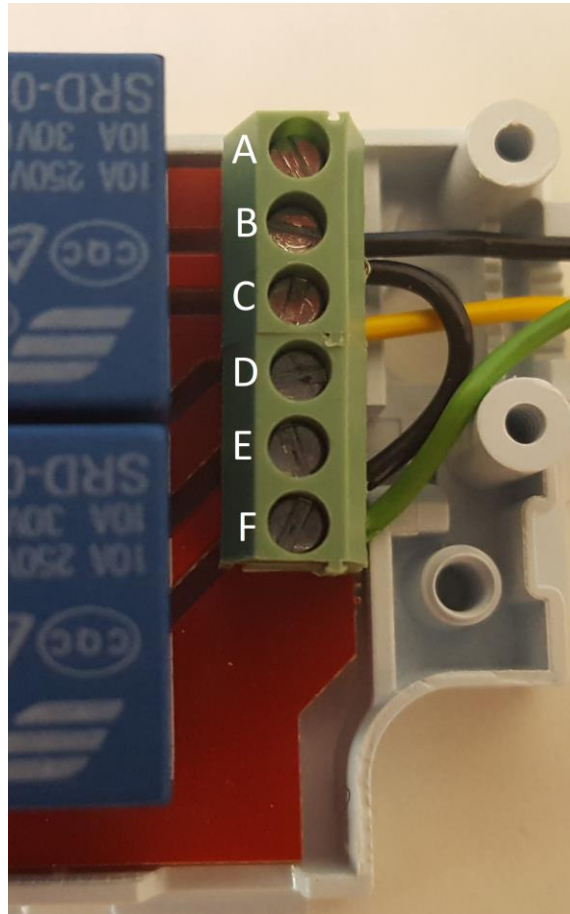


You can supply 5-24V of DC Power to the terminals

The Top Terminal must be + (Positive)

The Bottom Terminal must be - (Ground)

# Screw Terminals - Relays



The relays terminals are used to connect and disconnect 2 circuits

## 1. Main Relay

A: Normally Closed (A Completed circuit between A and B)

B: Common (normally connected to Ground)

C: Normally Open (An Open circuit between C and B)

## 2. Pedestrian Relay

D: Normally Closed (A Completed circuit between D and E)

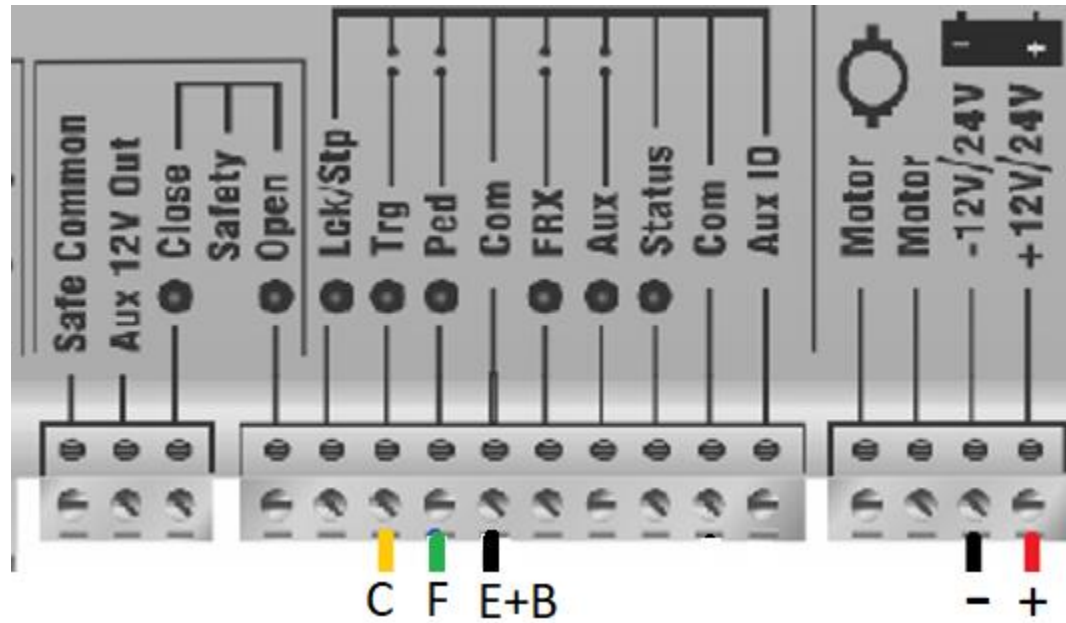
E: Common (normally connected to Ground)

F: Normally Open (An Open circuit between F and E)

For most Gate Motors the Normally Open circuit will be used to Control the gate, we could use the C and B circuit.

An example of a Normally Closed circuit would be a magnetic door lock Where the door is held closed by a strong magnet, this needs the power Constantly connected so we would use A and B as the circuit

# Connecting to a Gate Motor



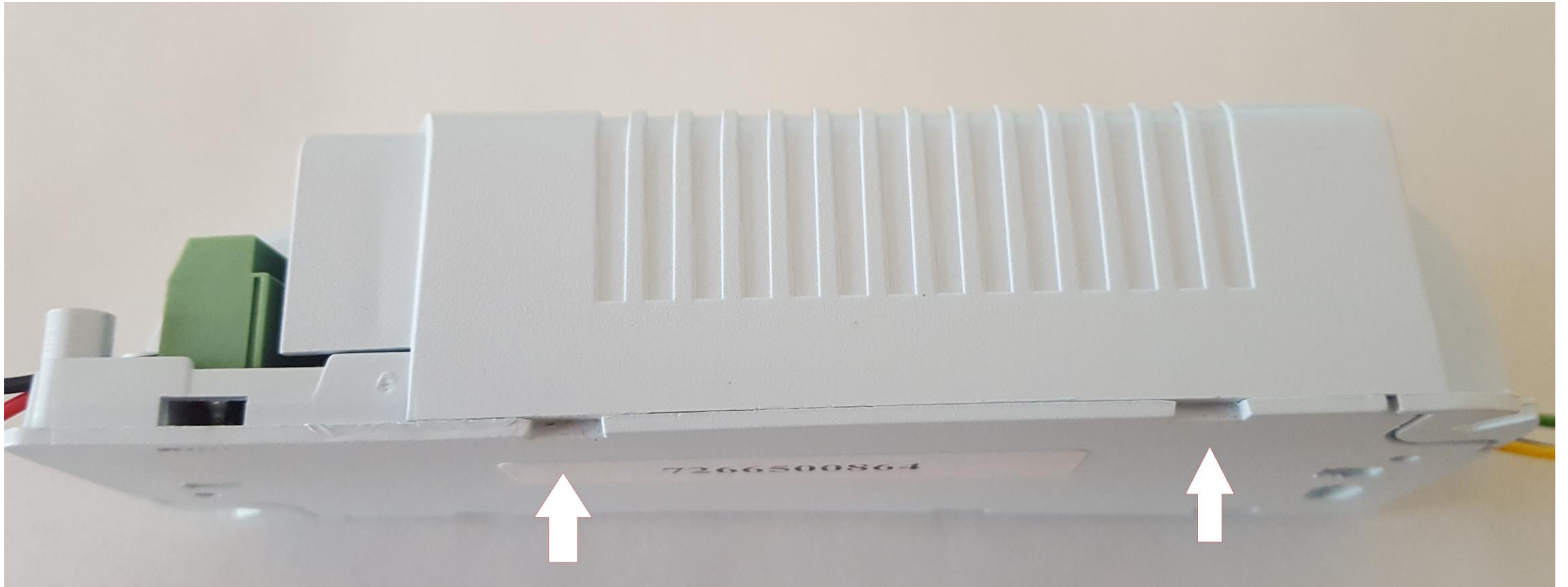
Connect the 2 common terminals together  
Connect terminal C to the TRG terminal  
Connect terminal F to the PED terminal

# Remove side panels



Use a philips screwdriver to remove the screws and gently lift off the side covers

# Getting the cover off



Ease a flat screwdriver into the slots on the cover and gently ease the cover upwards.